

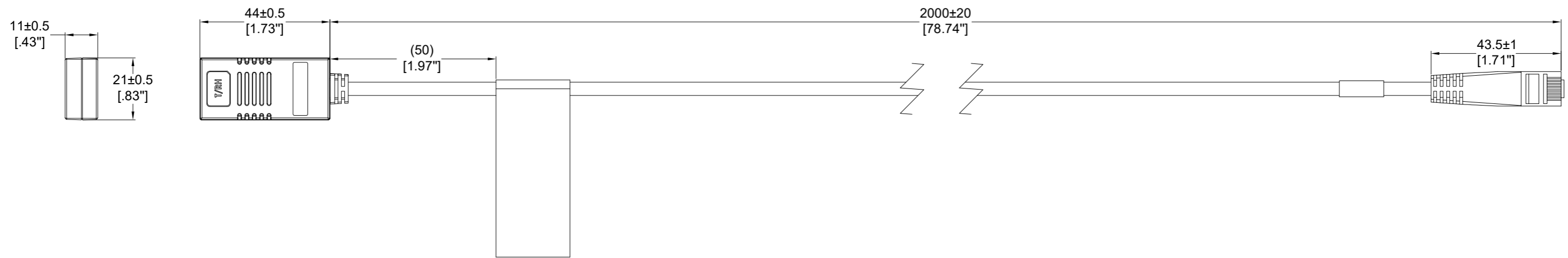
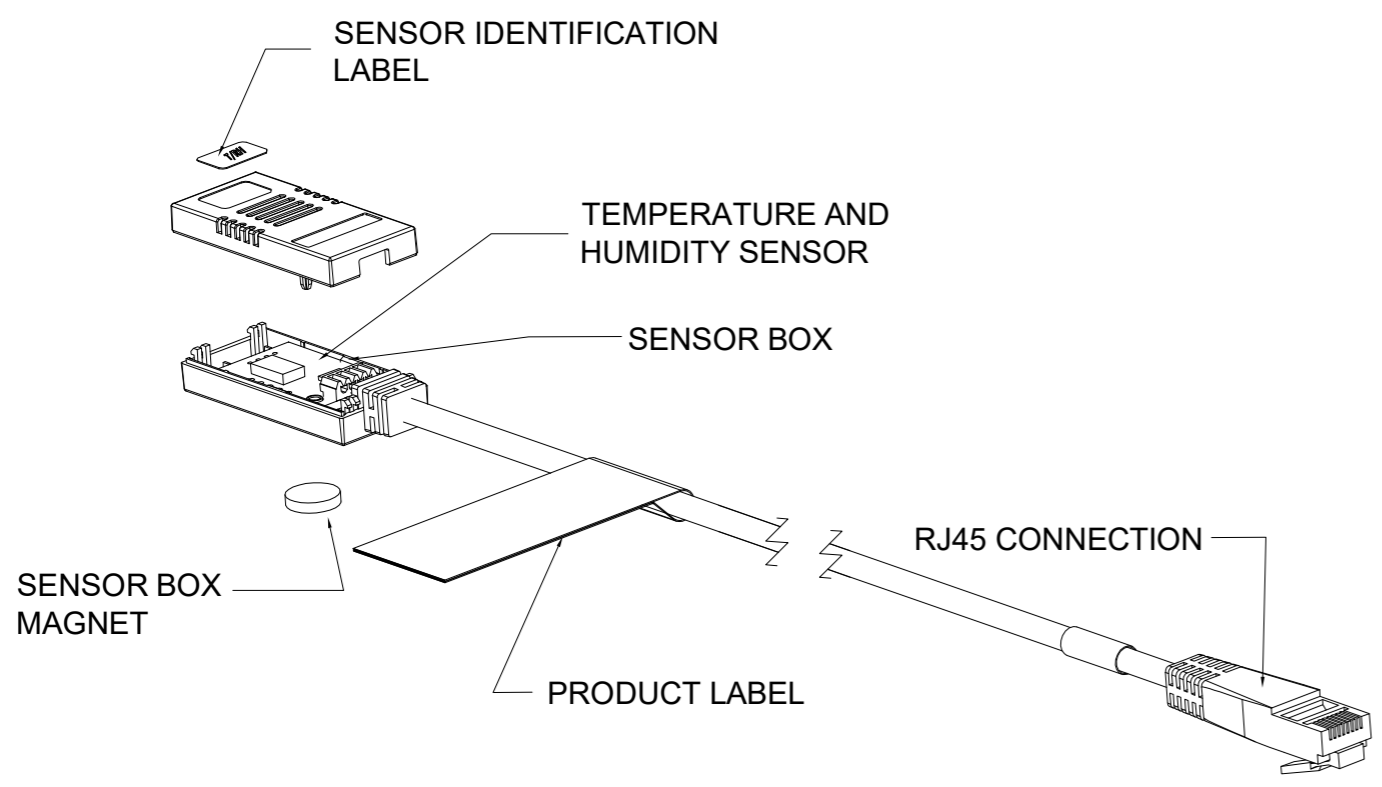
**DESIGN (PDU)
ENGINEERING**

SPECIFICATION:

- 1. STANDARD
 - TEMP MEASURING RANGE: 0°C - 65°C [32°F - 149°F]
 - TEMP MEASUREMENT ACCURACY: ± 2%
 - TEMP OPERATING RANGE: 0°C - 65°C [32°F - 149°F]
 - HUMIDITY MEASURING RANGE: 10-90% RH
 - HUMIDITY MEASUREMENT ACCURACY: ±5% RH @ 0°C-65°C, COVER RH MEASURING RANGE
 - HUMIDITY OPERATING RANGE: 10-90% RH, NON-CONDENSING
 - OPERATIONAL VOLTAGE: 4.2 - 5.5 VOLTS DC
 - CURRENT DRAW: 30 mA MAX
 - SENSOR HOUSING MATERIAL: ABS, 10% GLASS-FILLED
 - SENSOR HOUSING COLOR: BLACK
 - INTERFACE PLUG: RJ45 COMPLIANT
 - INTERFACE PLUG HOUSING MATERIAL: PC
 - INTERFACE PLUG HOUSING COLOR: TRANSPARENT
 - LABEL CONTENT: T/RH
- 2. ADDITIONAL: NONE
- 3. ACCESSORY COMPONENTS:
 - CABLE TIES, QTY:(5)
 - RJ45 QUICK DISCONNECT COUPLER, QTY:(1)
 - STANDARD ETHERNET EXTENSION CABLE, QTY:(1)
 - INSTALLATION GUIDE, QTY:(1)

NOTES:

- 1. PRIMARY DIMENSIONS ARE IN MILLIMETERS. SECONDARY DIMENSION ARE IN INCHES



	E1	INITIAL RELEASE	2022/07/07	Nate
ECN/ECO	REV.	DESCRIPTION	DATE	APPROVED

REVISIONS

TITLE : SINGLE T+H PROBE SENSOR	UNLESS NOTED, DIMENSIONS ARE IN MILLIMETERS & TOLERANCES ARE:		PART NO: TA-EA9103	REV. E1
	X ±1 MM	X° ±1°	DRAWN BY: Nate	2022/07/07
	X.X ±0.5 MM	X.X° ±0.5°	ENGINEER: Nate	2022/07/07
	X ±0.20 MM		APPROVED BY: Hanson	2022/07/07

enLOGIC by nvent

THIS DRAWING AND SPECIFICATIONS HEREIN ARE THE PROPERTY OF CIS GLOBAL AND SHALL NOT BE COPIED, REPRODUCED OR USED IN WHOLE OR IN PART, AS THE BASIS FOR THE MANUFACTURE OR SALE OF ITEMS WITHOUT WRITTEN PERMISSION FROM CIS GLOBAL. THIS DRAWING IS BASED UPON LATEST AVAILABLE INFORMATION AND IS SUBJECT TO CHANGE WITHOUT NOTICE

PROJECT : enLOGIC

BRACKETED DIMENSIONS ARE IN INCHES FOR REFERENCE ONLY
 THRID ANGLE PROJECTION
 INTERPRET PER ASME Y14.5M-1994

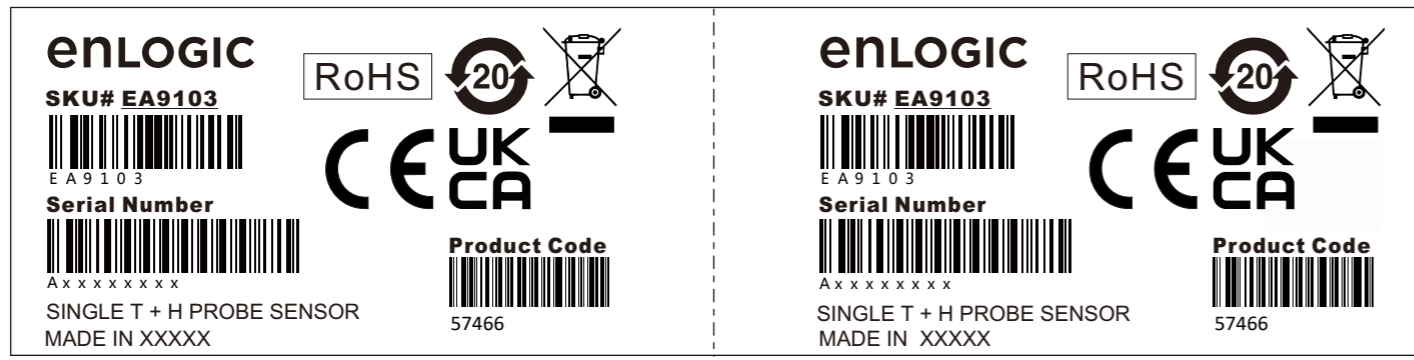
SCALE : N/A
 SHEET 1 OF 2
SIZE: A3

**DESIGN_(PDU)
ENGINEERING**

NOTES:

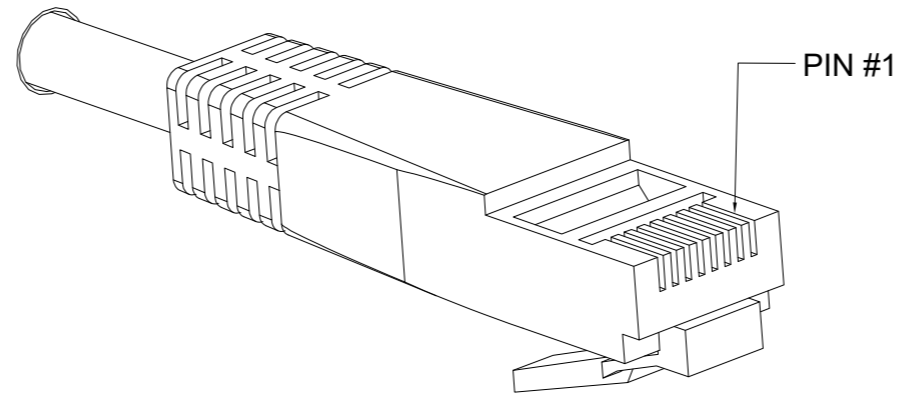
- 1. PRODUCT LABEL:
 MATERIAL:
 COLOR:
 TEXT COLOR:
 TEXT FONT:
- 2. BARCODE: CODE 128

SYNTHETIC PAPER
 WHITE
 BLACK
 ARIAL



PRODUCT LABEL

Pin	Function
1	+5V
2	NC
3	NC
4	NC
5	Ground
6	RS485 A
7	RS485 B
8	Ground



RJ45 CONNECTION PIN-OUT

	E1	INITIAL RELEASE	2022/07/07	Nate
ECN/ECO	REV.	DESCRIPTION	DATE	APPROVED
REVISIONS				
TITLE :		UNLESS NOTED, DIMENSIONS ARE IN MILLIMETERS & TOLERANCES ARE: X ±1 MM X° ±1° X.X ±0.5 MM X.X° ±0.5° X ±0.20 MM Ø X.X ±0.3 MM Ø X.XX ±0.10 MM BRACKETED DIMENSIONS ARE IN INCHES FOR REFERENCE ONLY	PART NO: TA-EA9103	
SINGLE T+H PROBE SENSOR			REV.: E1	
PROJECT : enLOGIC		DRAWN BY: Nate		2022/07/07
		ENGINEER: Nate		2022/07/07
		APPROVED BY: Hanson		2022/07/07
		SCALE : N/A		SIZE: SHEET 2 OF 2 A3
		⊕ THRID ANGLE PROJECTION INTERPRET PER ASME Y14.5M-1994		

enLOGIC by nvent

THIS DRAWING AND SPECIFICATIONS HEREIN ARE THE PROPERTY OF CIS GLOBAL AND SHALL NOT BE COPIED, REPRODUCED OR USED IN WHOLE OR IN PART, AS THE BASIS FOR THE MANUFACTURE OR SALE OF ITEMS WITHOUT WRITTEN PERMISSION FROM CIS GLOBAL. THIS DRAWING IS BASED UPON LATEST AVAILABLE INFORMATION AND IS SUBJECT TO CHANGE WITHOUT NOTICE